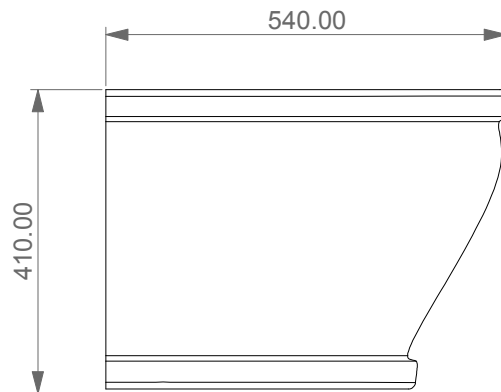


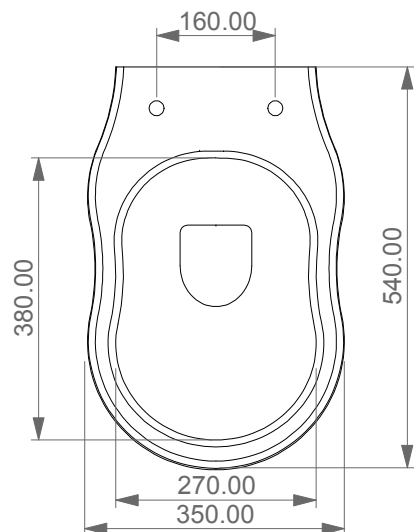
FRONT



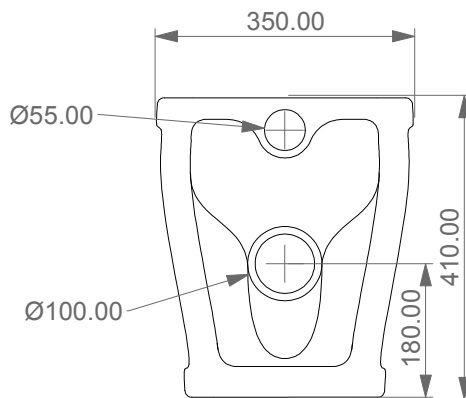
LEFT

GSG
CERAMIC DESIGN

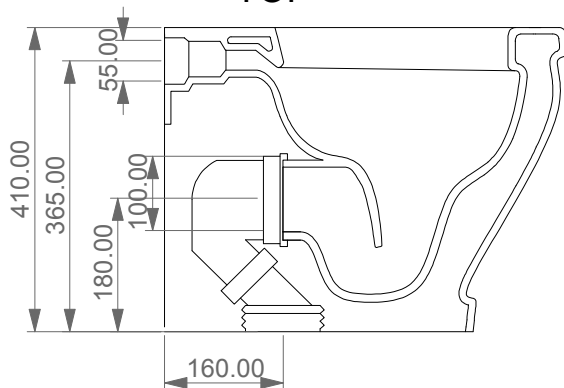
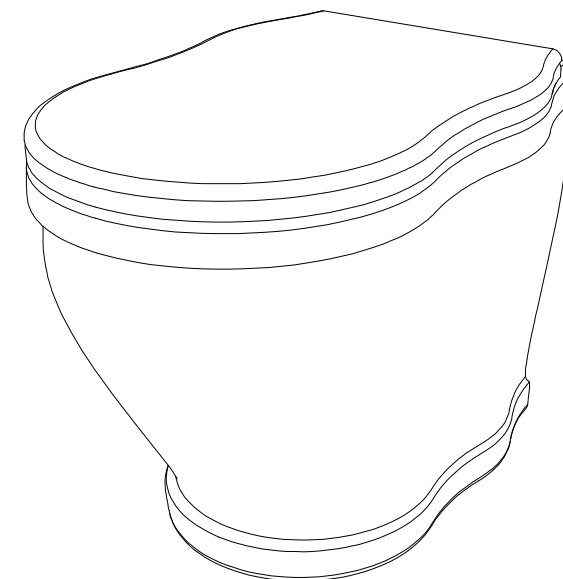
Vaso a terra Time scarico a parete
convertibile a pavimento con curva tecnica
Time wc back to wall, wall drain suitable
for floor drain with technical elbow



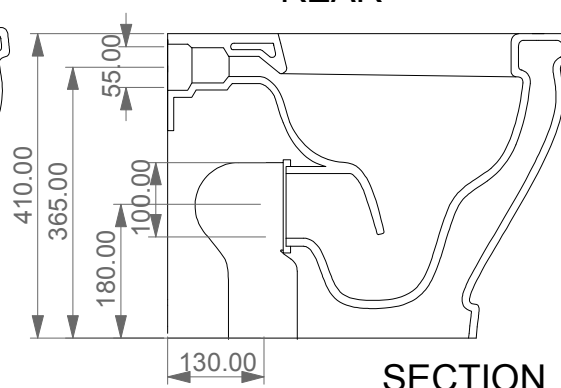
TOP



REAR



Con connessione eccentrica per scarico a suolo. ACS 102
With outlying drainage connector for floor trap. ACS 102



Con connessione per scarico a suolo. ACS 100
With drainage connector for floor trap. ACS 100

SECTION

Designation Vaso a terra Time scarico a parete convertibile a pavimento con curva tecnica Time wc back to wall, wall drain suitable for floor drain with technical elbow	GSG CERAMIC DESIGN
Scale 1:10	
cod. TIWC01	This drawing including the respected data may neither be duplicated nor modified nor altered without the consent of GSG Ceramic Design. The use of the data/technical drawings take place at users own risk and under exclusion of any liability of GSG Ceramic Design. The dimensions are not binding; products are subject to changes. Measurement shown may be subjected to small variations or are indicative.